

YDEZ 铝壳软起动系列

“三合一”驱动装置

YDEZ series of aluminum shell soft start
"three in one" driving device

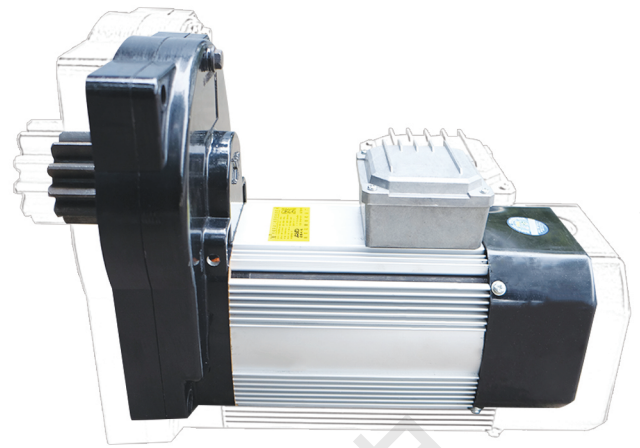
产品特征

YDEZ铝壳软起动系列“三合一”驱动装置是专为起重机大车行车机构设计的，低转速大扭矩的驱动可有效避免突然加速和减速而造成的猛烈晃动。

该驱动装置替代了原ZDY系列配LDA驱动的结构形式，传动扭矩大，结构紧凑轻巧，安装简便，易维护。

齿轮经过特殊表面硬化和精密磨齿加工而成，为硬齿面减速机。

该系列产品所配软起动电机采用电磁制动，刹车间隙自动补偿。



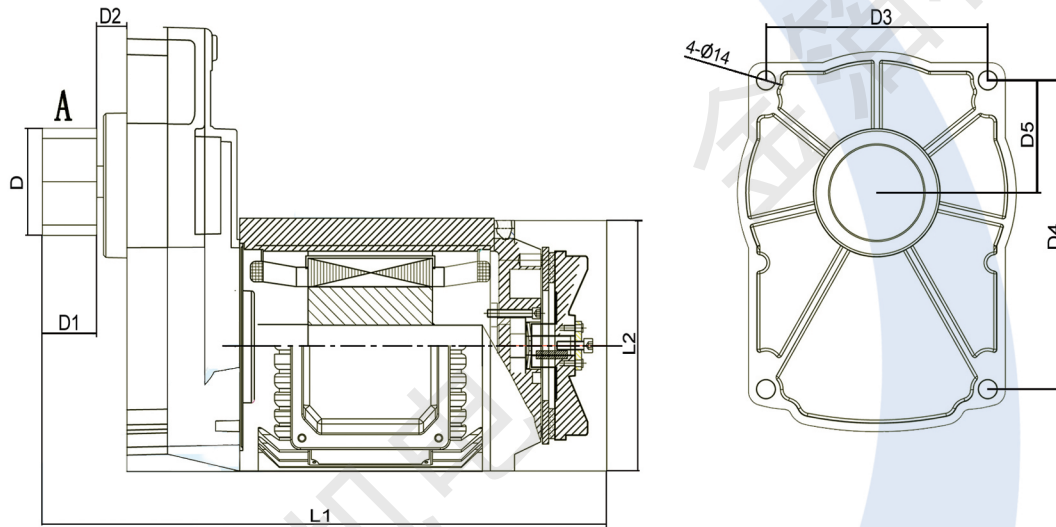
Product Characteristics

Drive device is designed for Crane trolley driving mechanism. Low speed and high torque drive can effectively avoid sudden acceleration and deceleration caused by shaking.

Drive device replaces the original structure of ZDY motor with LDA drive. With the characteristics of large starting torque, compact structure, light weight, convenient installation and maintenance.

Gears are specially hardened and precision ground to form a hardened gear reducer.

The series of products are equipped with soft starting motor with electromagnetic brake, and automatic compensation for brake clearance.



主要性能参数: Main performance parameters

型号 Type	对应功率 (kw) Power	转矩 (N·m) Torque	堵转电流 (A) Plugging current	转速 (r/min) Speed	制动力矩 (N·m) Braking torque	励磁电压 (V) Excitation voltage	运行速度 m/min Running Speed
YDEZ80L-4	0.8	8	3.5	1200	1-3	DC99	30
YDEZ80L-6	0.8	12	5	800	1-3	DC99	20
YDEZ90L-4	1.5	16	7.5	1200	2-6	DC99	30
YDEZ90L-6	1.5	23	8	800	2-6	DC99	20

外形及安装尺寸: Outline and installation dimension

型号 Type	尺寸 Dimension							
	L1	L2	D	D1	D2	D3	D4	D5
YDEZ 80L-4	362	160	68	35	23	160	220	80
YDEZ 80L-6	387							
YDEZ 90L-4	407							
YDEZ 90L-6	432							

齿轮数据 Gear data

模数 m	Modulus	5
齿数 z	Tooth Number	11
齿顶圆直径 da	Outer diameter	68
齿根圆直径 df	Inner diameter	45.5
分度圆直径 d	Pitch circle diameter	55