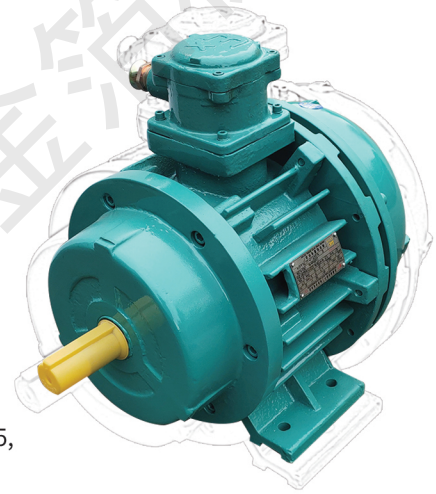


BZD系列

底脚式防爆锥形转子三相异步电动机

BZD series of base foot explosion-proof conical rotor
three-phase asynchronous motor



产品特性

本电动机为防爆锥形转子三相异步电动机(以下简称电动机),外壳防护等级 IP65,绝缘等级 F 级,冷却方式为 IC410。

一、适用范围

本系列防爆电动机性能符合 GB/T 3836.1-2021《爆炸性环境第 1 部分:设备通用要求》、GB/T 3836.2-2021《爆炸性环境第 2 部分:由隔爆外壳“d”保护的设备》、GB/T3836.31-2021《爆炸性环境第 31 部分:由防粉尘点燃外壳“t”保护的设备的设备》的规定。防爆标志为 Ex db IIC T4 Gb, Ex tb IIIC T130°C Db, 适用于工厂有 IIA、IIB、IIC 组的爆炸性气体环境、21 区域, A 类设备 T4 条件下可燃性粉尘环境中使用的设备,作为起重机械电力传动用。

IM3001、IM3601。

三、工作条件

环境气压: 86kPa-110kPa;

环境空气温度: -20~+40°C;

相对湿度不大于 85%(+25°C时);

除煤矿外,工厂用 IIA、IIB、IIC 组的爆炸性气体环境、可燃性粉尘环境;

额定电压为 380V、660V,额定工作频率为 50Hz;

接法: Y;

基准工作制 :S4-25% (即工作制 S4, 负载持续率 25%);

每小时等效起动次数为 120 次。

Product Characteristics

The motor is explosion-proof conical rotor three-phase asynchronous motor (below motor for short), enclosure protection grade IP65, insulation grade F, and cooling mode IC410.

1.Scope of application

The performance of explosion-proof motors conforms to requirements of GB/T 3836.1-2021《Explosive atmospheres parts 1: Equipment general requirements》、GB/T 3836.2-2021《Explosive atmospheres parts 2: Equipment protection by flameproof enclosure “d”》、GB/T3836.31-2021《Explosive atmospheres-part 31: equipment protected by the dust-proof ignition housing “t”》. The explosion-proof mark is Ex db IIC T4 Gb, Ex tb IIIC T130°C Db, suitable for the explosive gas environment of the IIA, IIB and IIC groups in the factory, and the flammable dust environment under the 21 areas,T4 condition of the Class A equipment. Used as power transmission for hoisting machinery. It is used for electric transmission of hoisting machinery.

2.Installation method

IM3001, IM3601.

3.Working conditions

Ambient air pressure: 86kPa-110kPa;

Ambient temperature:-20~+40°C;

Relative humidity not greater than 85% (+25 °C);

In addition to coal mines, factories use in IIA, IIB and IIC explosive atmospheres and flammable dust environments;

Rated voltage 380V、660V, rated working frequency 50Hz;

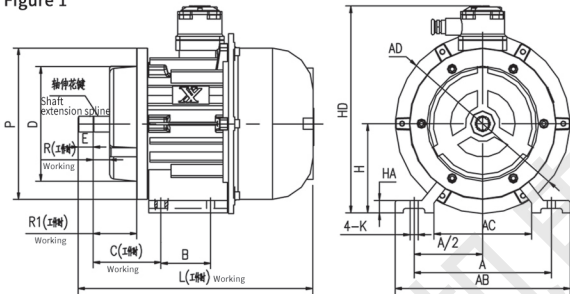
Connection: Y;

Benchmark work: S4-25% (working S4, load persistence rate 25%);

Equivalent number of starts per hour is 120.

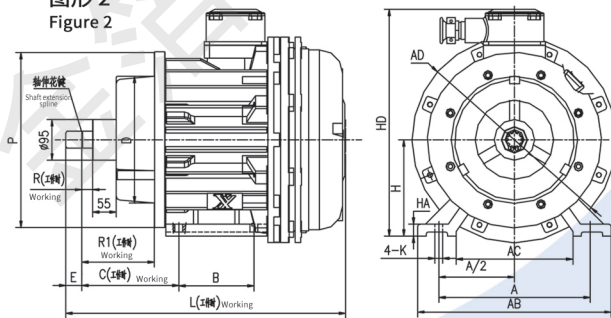
BZD 型电动机外形及安装尺寸： BZD motor outline and installation dimension：

图形 1
Figure 1



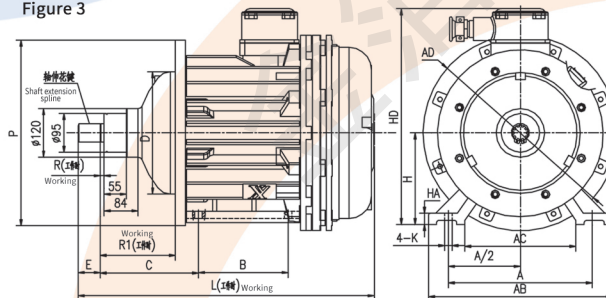
型号及 功率 kW Type and power (kW)	轴伸花键 Shaft extension spline	安装尺寸 Installation dimensions											外形尺寸 Outline dimension				
		E	R	C	B	H	A	K	P	D	R1	AC	HA	L	AB	HD	AD
BZD21-4 0.8	6D-20x16x4	22	10	108.5	89	132	216	14.5	230	177	61	152	18	373	280	356.5	276
BZD22-4 1.5																	
BZD31-4 3.0	6D-28x23x6	30	11	127.5	93	160	254	14.5	296	225	80	195	20	436	315	407	334
BZD32-4 4.5		30		130.5	111									460			
BZD41-4 7.5	10D-35x28x4	35	55.5	176.5	115	200	318	18.5	340	258	118	226	28	560	406	464	404

图形 2
Figure 2



型号及 功率 kW Type and power (kW)	轴伸花键 Shaft extension spline	安装尺寸 Installation dimensions											外形尺寸 Outline dimension				
		E	R	C	B	H	A	K	P	D	R1	AC	HA	L	AB	HD	AD
BZD51-4 13	10D-40x32x5	38	82	229.5	177	225	356	18.5	410	296	172	275	28	655	455	530	482

图形 3
Figure 3



型号及 功率 kW Type and power (kW)	轴伸花键 Shaft extension spline	安装尺寸 Installation dimensions											外形尺寸 Outline dimension				
		E	R	C	B	H	A	K	P	D	R1	AC	HA	L	AB	HD	AD
BZD52-4 18.5	10D-45x36x5	55	8	244.5	222	225	356	18.5	455	300	187	275	28	732	455	530	482